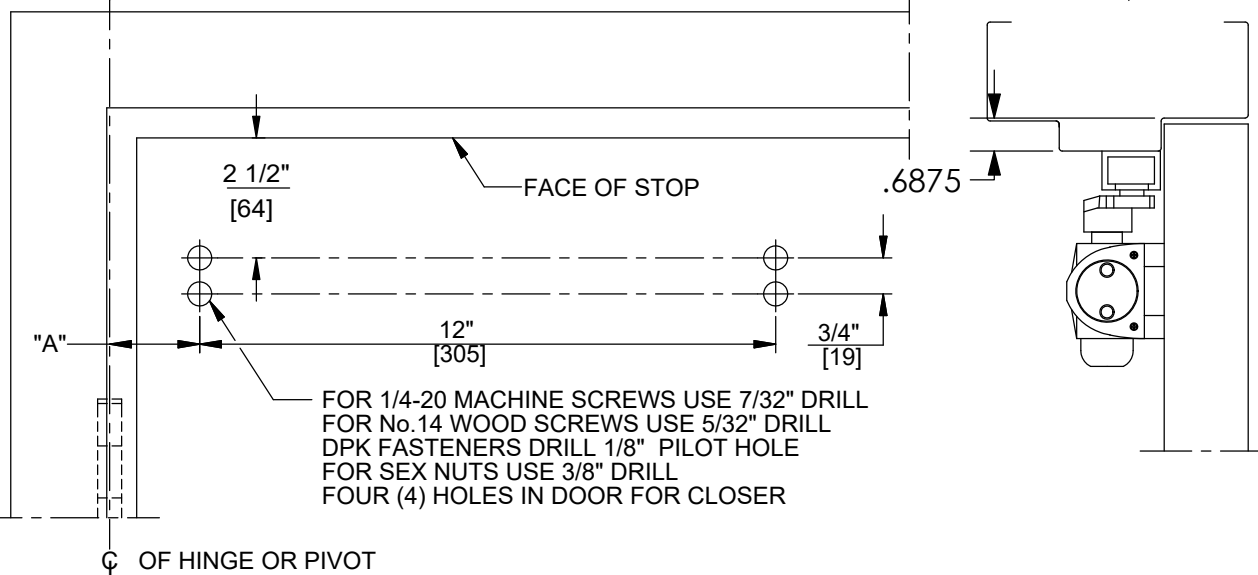
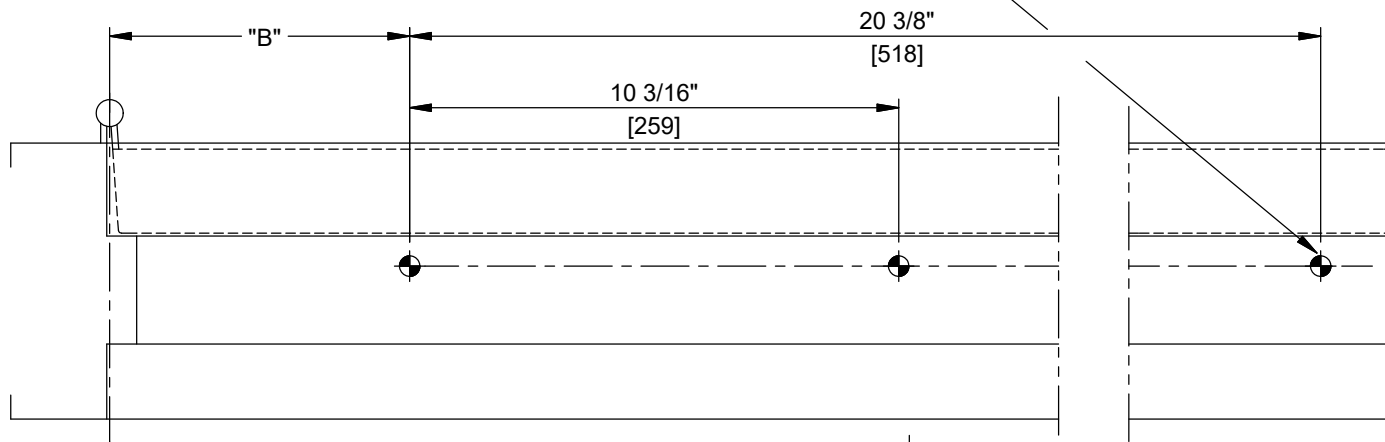


FOR 1/4-20 MACHINE SCREWS USE 7/32" DRILL
 FOR No.14 WOOD SCREWS USE 5/32" DRILL
 DPK FASTENERS DRILL 1/8" PILOT HOLE
 THREE (3) HOLES IN FRAME FOR TRACK

ANGLE OF OPENING	DIM. "A" DOOR	DIM. "B" TRACK	HOLD OPEN RANGE
85°	1-7/8 (48)	9-7/8 (251)	30°-82°
90°	1-7/8 (48)	8-1/4 (209)	30°-87°
100°	1-7/8 (48)	6-1/4 (159)	30°-97°

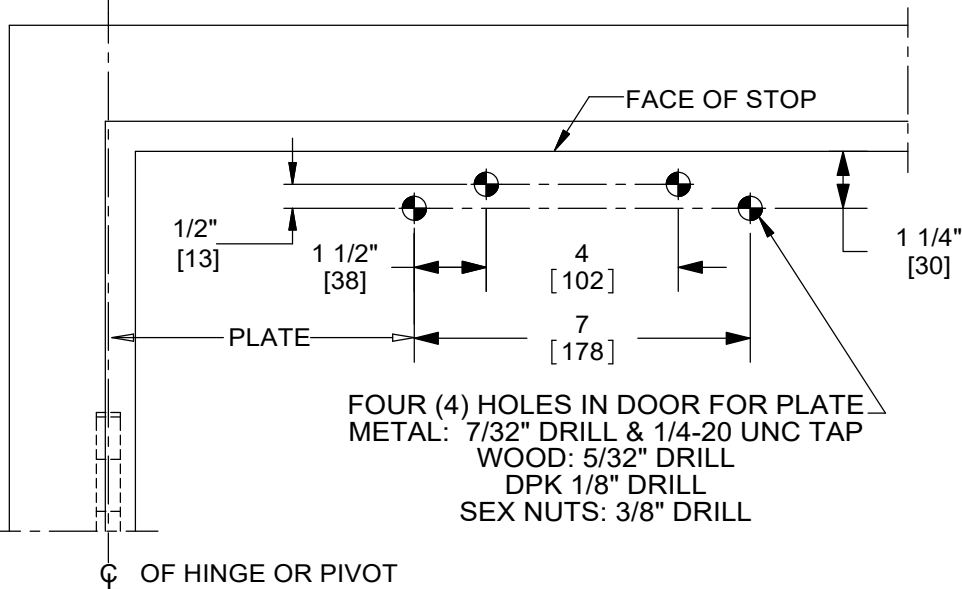
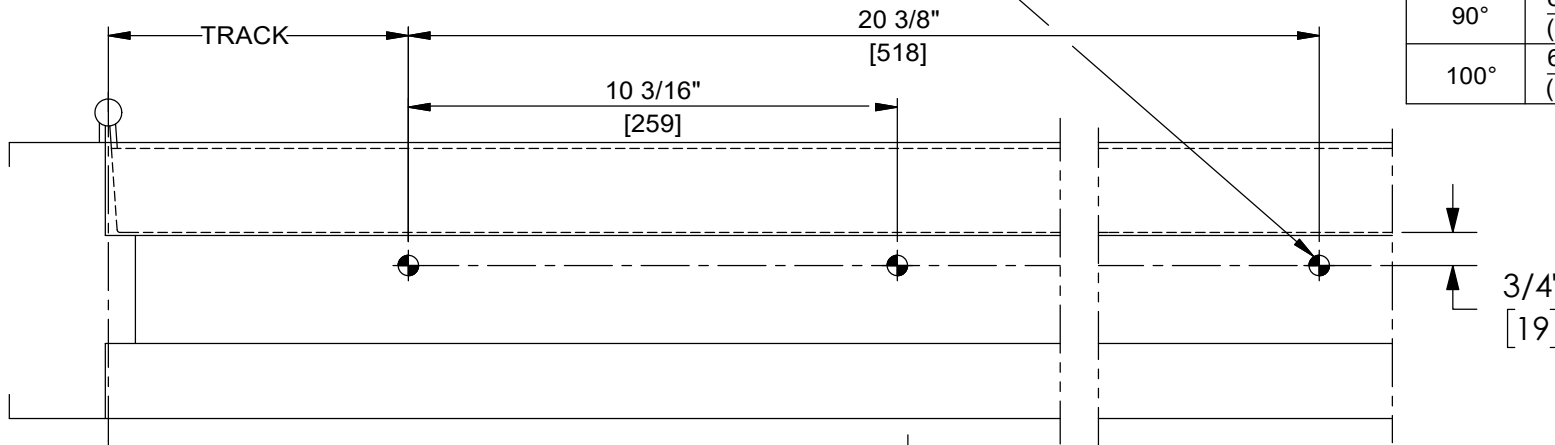


NOTES:

1. DO NOT SCALE DRAWING.
2. DIMENSIONS ARE IN INCHES/(MM).
3. LEFT HAND DOOR SHOWN.
4. CAUTION: SEX NUTS ARE REQUIRED FOR ATTACHMENT OF COMPONENTS TO UNREINFORCED DOORS AND TO WOOD OR PLASTIC FACED COMPOSITE TYPE FIRE DOORS, UNLESS AN ALTERNATIVE METHOD IS IDENTIFIED IN THE INDIVIDUAL DOOR MANUFACTURER'S LISTINGS.
5. MAX. OPENING IS 100°.
6. OPTIONAL DPK FASTENERS (DPK86) FOR STEEL DOOR & FRAME ONLY.

THREE (3) HOLES IN FRAME FOR TRACK
 METAL: 7/32" DRILL & 1/4-20 UNC TAP
 WOOD: 5/32" DRILL
 DPK: 1/8" DRILL

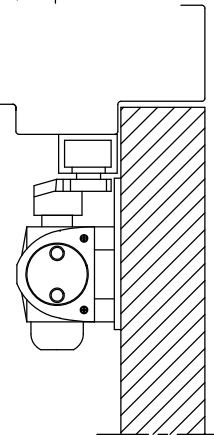
ANGLE OF OPENING	PLATE DIM.	TRACK DIM.	HOLD OPEN RANGE
85°	6-3/8 (162)	9-7/8 (251)	30°-82°
90°	6-3/8 (162)	8-1/4 (209)	30°-87°
100°	6-3/8 (162)	6-1/4 (159)	30°-97°



FOUR (4) HOLES IN DOOR FOR PLATE
 METAL: 7/32" DRILL & 1/4-20 UNC TAP
 WOOD: 5/32" DRILL
 DPK 1/8" DRILL
 SEX NUTS: 3/8" DRILL

NOTES:

1. DO NOT SCALE DRAWING.
2. DIMENSIONS ARE IN INCHES/(MM).
3. LEFT HAND DOOR SHOWN.
4. CAUTION: SEX NUTS ARE REQUIRED FOR ATTACHMENT OF COMPONENTS TO UNREINFORCED DOORS AND TO WOOD OR PLASTIC FACED COMPOSITE TYPE FIRE DOORS, UNLESS AN ALTERNATIVE METHOD IS IDENTIFIED IN THE INDIVIDUAL DOOR MANUFACTURER'S LISTINGS.
5. MAX. OPENING IS 100°.
6. OPTIONAL DPK FASTENERS (DPK86) FOR STEEL DOOR & FRAME ONLY.



DOOR CLOSER MODELS: 8616 PT, PTH
 PARALLEL TRACK INSTALLATION (PUSH SIDE MOUNT)
 WITH PLATES DP86, DP86FC